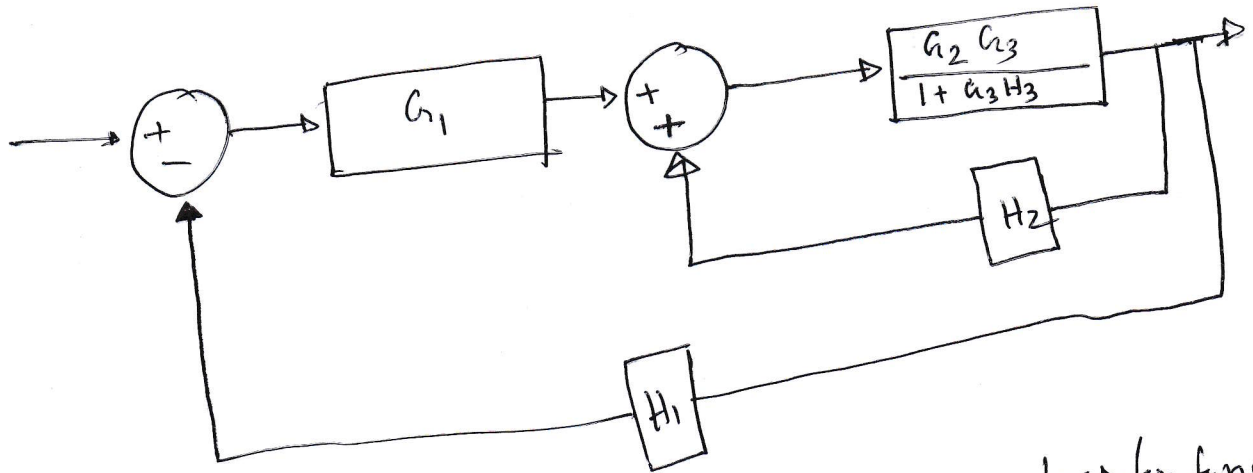


Last date of submission
28 - Aug. 2019

Except simulation, All assignments must be hand written.

Assignment - 1

Solve the following block diagram and implement in Simulink. Show that your solved diagram and the original diagram have same response.



Assume, $G_1, G_2, G_3, H_1, H_2, H_3$ be any transfer function.
for ex. $G_1 = \frac{1}{s^2 + 4s + 2}$; $H_1 = \dots\dots\dots$

Assignment 2

① What is neural network. What is the difference between neural network and fuzzy logic controller. Which of them do you think is ~~robust~~ more robust in control system.

② What is intelligent controller. Explain how can you implement ~~an~~ intelligent controller in your post graduate research?

Assignment - 3

① Let a 2nd order transfer function is given as, $X(s) = \frac{4}{s^2 + 10s + 5}$; ~~change~~ ^{increase} its natural frequency by 30%. ~~and~~ and simulate its behaviour. compare this with the original response in one graph.